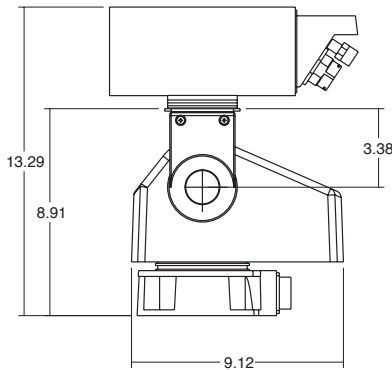
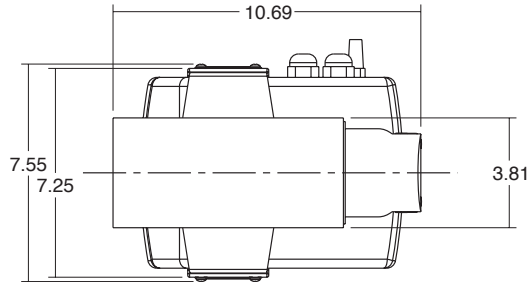
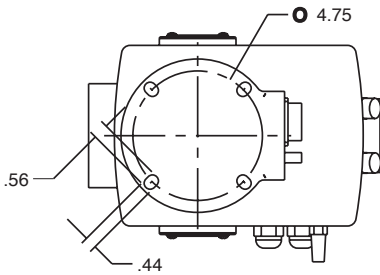


CAMERA PAN/TILT PACKAGE

PT55 and PT60



DESCRIPTION

A rugged, feature-packed outdoor pan/tilt and day/night camera system includes a tubular housing that can be ordered in a pressurized or dust-proof model. *Optional infrared illuminators allow nighttime viewing in no-light conditions.*

PRODUCT FEATURES

- Outdoor medium-duty pan/tilt with integral multi-protocol receiver/driver, selectable RS232 or 485 input
- Day/night IR sensitive camera with 23x zoom, factory wired
- Heavy-duty metal gears
 - Low wind resistance, 3.8" diameter tubular housing, available pressurized or dust-proof
- Heater/window defroster
- 360° continuous rotation models available
 - One alarm input or auxilliary output
 - Optional sunshield and infrared illuminators

ELECTRICAL

Input Voltage	24 VAC, 50/60 Hz
Input Voltage	Range ±10%
Power Consumption	40 vA (Pan/Tilt, Enclosure, Camera)
Heater/Defroster	Thermostatically controlled, 10 watts
Electrical Connections	
Power/control	24-pin connector on the base
Video	BNC connector on the base
Enclosure	
Pressurized	16 pin hermetically sealed connector, corrosion-proof
Dust-Proof	2 liquid type strain reliefs
Protocols	Cohu, NTCIP, Videolarm



CAMERA	
Image Sensor	1/4" interline transfer CCD
Output	NTSC
Number of Effective Pixels	Approx. 380,000 pixels
Resolution	470 (H) x 400 (V) TV lines
Lens	23x optical (f=3.6mm - 82.8mm)
Digital Zoom	10x (230x with optical zoom)
Angle of View	(H) 54° (wide) to 2.5° (tele)
Minimum Illumination Color B&W	3 lux @ 1/60s, .2 lux @ 1/4s 0.02 lux (1/4s, IR cut filter removed)
S/N ratio	50 dB
Electronic Shutter	Auto/Manual (manual 1/2s - 1/30000s)
White Balance	Auto/Manual
Automatic Gain Control	Auto/Manual (-3 to 28 dB, 16x 2 dB steps)
Iris Control	Auto/Manual
Backlight Compensation	On/Off
Focusing System	Auto/Manual
Low Light IR Mode	Auto/Manual
Privacy Zone	On/Off

GENERAL

Construction

Pan/tilt	Cast aluminum base and yoke, corrosion resistant plastic cover, stainless steel hardware
Enclosure	Extruded aluminum housing, aluminum rear end & front cap

Finish

White powder coat

Viewing Window

.120" (3 mm) thick glass, optically clear, heat treated

Operating Temperature

-22° to 122° F (-30° to 50° C)

Weather Resistance

Pan/tilt	Tested to IP54 requirements
Enclosure	Tested to IP67 requirements

Weight

Pan & tilt/camera/enclosure 17 lbs (7.7 kg)

Enclosure only 3 lbs (1.4 kg)

Vibration 3g swept sine wave

Shock 50g, 11ms, 1/2 sine

MODELS

PT55D8-7	Outdoor PTZ Camera System with 26x Day/Night Camera, 355° pan (12°/sec pan), 64 presets, dustproof tubular hsg, 24Vac heater
PT55D8-7K2	PT55D8-7 plus wide angle and long distance InfraRed Illuminators (VLOPT-IRK IR bracket plus [2] IR200-36 IRs)
PT60D8-7	PT55D8-7 with 360° pan
PT60D8-7K2	PT55D8-7 with 360° pan plus wide angle and long distance InfraRed Illuminators included (VLOPT-IRK IR bracket plus [2] IR200-36 IRs)
PT55P8-7	Pressurized version of the PT55D8-7
PT55P8-7K2	Pressurized version of the PT55D8-7 plus wide angle and long distance InfraRed Illuminators included (VLOPT-IRK IR bracket plus [2] IR200-36 IRs)
PT60P8-7	Pressurized version of the PT55D8-7 with 360° pan
PT60P8-7K2	Pressurized version of the PT55D8-7 with 360° pan plus wide angle and long distance InfraRed Illuminators included (VLOPT-IRK IR bracket plus [2] IR200-36 IRs)

OPTIONS AND ACCESSORIES

ACA2 - Aluminum corner mount adapter

APM3 - Aluminum pole mount adapter

IR30/IR50/IR100/IR200 - Illuminators in ranges from 30m (100 ft) to 200m (660 ft)

PS24 - 120 (60 hz) input, 24 VAC, 8 amp output, UL-listed power supply with indoor metal enclosure

VLOPT-IRK - IR Illuminator, bracket, (IR lights not included)

VLAY8 - Aluminum Sunshield for AP/AD8

VLC485 - RS485 controller

WMPT14 - Heavy-Duty Wall mount for Outdoor PTZ

MECHANICAL

Pan Movement

Standard models 355° Continuous pan rotation

Continuous models 360° Continuous pan rotation

Vertical Tilt

-30° to +90°

Mounting Orientation

Can be mounted upright or upside down

Pan Speed

7°/sec

Tilt Speed

3.5°/sec

Load Capacity

22 lbs., or 10 ft-lbs of torque

Drives

Heavy-duty, permanently lubricated bushings and ball bearings

Metal Gear Versions

All metal construction, hardened steel driveshaft