

OpenEye[®]



OpenEye's 300-Series line of dome cameras provide superior video quality and design. A low lux level for indoor/outdoor low light recording, high TV Line resolution, and complete integration with all OpenEye DVRs, make the Optix 300-Series domes a smart solution for virtually every application.

HIGHLIGHTS

- » 540 TVL
- » Optically Correct Bubble
- » Ultrasonically Welded Polycarbonate Dome
- » 3-9mm Adjustable Aspherical Lens
- » Day / Night Operation
- » IP 66 Rated for Indoor/Outdoor Use
- » Sony 1/3 Super HAD CCD Color Sensor

300 SERIES

INDOOR/OUTDOOR DOME

300-SERIES INDOOR/OUTDOOR DOME

VANDAL PROOF

The OpenEye 300-Series line of dome cameras not only provide superior video quality and design but also offer users the protection of a vandal proof dome. The 300-Series dome is designed for tough environments where average security cameras were not designed to survive. The dome is enforced with a high grade polycarbonate housing which can withstand almost any inflicted damage. The 300-Series is also available with an optional internal heater, allowing the camera to operate in temperatures as low as -50°C.

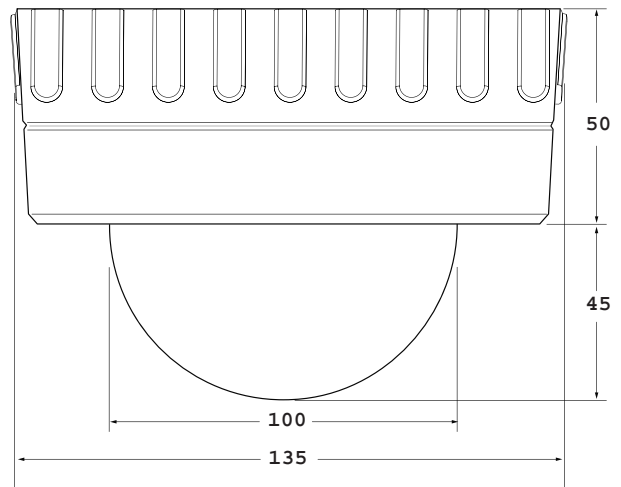
HIGH RESOLUTION

OpenEye's 300-Series Outdoor Dome utilizes high resolution technology, providing users a better quality picture and allowing for easy identification in critical situations. The installed camera is a high resolution color camera which can operate with an amazing 540 lines of resolution. The 300-Series dome can also be utilized in day and night applications with an outstanding 0.6 Lux. The 300-Series dome stands out from any other camera on the market by offering users a sharp picture and true vibrant colors.

PRODUCT SPECIFICATIONS		
	CM-300	CM-300H
Video Standard	NTSC	
Scanning System	2:1 Interlace H:15750Hz, V:59.94Hz	
Image Sensor	SONY 1/3 Super HAD CCD Color Sensor	
Pixel Count	768(H)X494(V) Total: 380K	
Minimum Illumination	0.6 Lux @ F=1.2 (50IRE Video Output)	
Day Mode Resolution	540 TV Line	
Night Mode Resolution	560 TV Line	
Video Output	1.0Vpp 75 Ohm BNC unbalanced	
Sync System	Internal / Line Lock	
S/N Ratio	50dB	
Auto Gain Control	AGC-EX / AGC Norm	
Auto Iris Control	DC Drive	
AES	1/60 - 1/100,000	
White Balance	Auto White Balance	
Line Lock Phase Adjust Range	0°-270°	
Line Lock Frequency Range	60Hz +/- 1Hz	
Back Light Composition	Center Area for Auto IRIS	
Heater	N/A	YES
Temperature	Operation: -10°C ~ +50°C, Storage: -35°C ~ +60°C	Operation: -50°C ~ +50°C, Storage: -35°C ~ +60°C
Emissions	FCC part 15 Class B ; CE:EN55011 ICES-003 ; EN5502 ; CISPR 11 ; CISPR 22 ANSI C63.4	
Immunity	CE:EN50130-4	
Safety	CSA C22.2	
Power Consumption	4.5W w/o Heater - 15W Max w/Heater	
Voltage	12VDC / 24VAC +/- 10%	
Weight	1lbs 3.1oz (1lbs 5.7oz with Surface Mount Spacer)	
Housing / Dome Cover	Gray / Clear	

FEATURES

- » Day/Night Operation
- » SONY 1/3 Super HAD CCD Color Sensor
- » Supports NTSC
- » 2 Composite Outputs: 1 BNC / 1 1/8" mini jack
- » 50dB Signal to Noise Ratio
- » Back Light Compensation on Center Area
- » Vandal Proof Polycarbonate Dome
- » Easy to Install
- » Small Form Factor
- » Both Indoor and Outdoor Use
- » Included Flush Mount Kit
- » Optional Heater
- » Weather Resistant



Measurements are in millimeters

CAMERA MODELS

CM-300 Day/Night Operation, 0.6 Lux 4" Mini Dome 540 TVL 3-9mm Adjustable Aspherical Lens IP 66 Rated for Indoor/Outdoor Use	CM-300H Day/Night Operation, 0.6 Lux 4" Mini Dome 540 TVL 3-9mm Adjustable Aspherical Lens IP 66 Rated for Indoor/Outdoor Use Heater for Outdoor Usage
--	---

CAMERA ACCESSORIES Optional Accessories Sold Separately

- CA-3004SM - 4S Electrical Box Mount
- CA-300PMK - Pendant Mount
- CA 300WB - Wall Bracket Mount
- CA-300C - Corner Mount
- CA-300P - Pipe Adaptor

OpenEye

North America

888.542.1103 Toll Free • 509.232.5261

509.777.6702 Fax • Liberty Lake, WA • www.openeye.net



27849AF

Copyright ©2008 OpenEye, Inc. All Rights Reserved. Information contained in this document is subject to change without prior notice. OpenEye does its best to provide accurate information but cannot be held responsible for typos or mistakes.

A12931