

# NiteTrac

## Intelligent Infrared Light & PTZ Camera System



Videolarm's new NiteTrac offers a revolutionary and intelligent approach to combat night surveillance. Consisting of a state-of-the-art turret-based PTZ system, the NiteTrac is capable of a smooth and accurate 360° of rotation with remarkable speeds. Included with the NiteTrac is a patent pending infrared illuminator that automatically adjusts both its beam angle and intensity based around the adjoining camera zoom. Illuminate areas up to 660 feet with the need of only one IR Illuminator and camera.

### KEY FEATURES

- **Advanced IR automatically adjusts based on camera zoom lens movement**
- **Illuminate distances up to 660 feet**
- **LED Technology: 850 Nanometers**
- **Includes quick turret-based PTZ system with sophisticated camera: 64 presets (2 auto tours), 360° rotation**
- **Eliminate the need to purchase additional IR units**
- **NEMA 4x and IP66 Rating to prevent the ingress of water and minute particles**

**US Patent Pending**

## Intelligent Infrared Illuminator & PTZ Camera System



### Environmental Housing & Camera System:

IP 66 Environmental housing thermostatically controlled heater/blower, extruded aluminum case. 36x Day/Night camera, 380,000 pixels.



### Fully Adjustable Infrared Illuminator:

One model for all applications! Infrared illuminator incorporating advanced LED technology - 850 nanometers. Capable of automatically adjusting beam angle and intensity based on adjoining camera zoom lens. User replaceable fuse and automatic fan for heat dissipation.



### PTZ / Turret System:

State-of-the art PTZ turret-style system capable of 360° rapid accurate rotation. Incorporating 64 presets and 2 auto tours, rugged industrial design.

## What are InfraRed Illuminators?

For surveillance applications where light is not sufficient, i.e. Night-time scenarios, an infrared illuminator is strongly recommended for enhancing your view of sight. Composed of multiple light emitting diodes (LEDs), the infrared illuminators produce an infrared beam of light which when paired with either a day/night or black & white camera will illuminate the surrounding area for increased visibility.



Low-light conditions WITHOUT IR Illumination



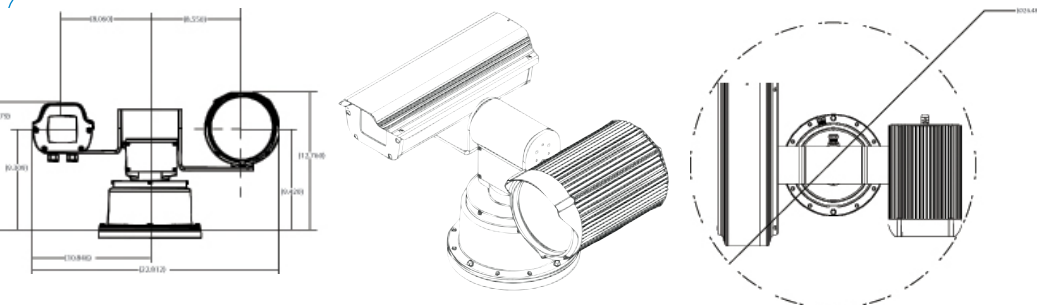
Low-light conditions WITH IR Illumination

## Nite Trac Models

**NT-SD-3 - Dust Proof Camera:** Outdoor Nightvision PTZ system, w/IR illuminator that automatically adjusts based on the camera's zoom level, dust-proof camera housing w/36x D&N camera, 360 degree rotation, RS422 Pelco D&P protocols

**NT-SP-3 - Pressurized Camera:** Outdoor Nightvision PTZ system, w/IR illuminator that automatically adjusts based on the camera's zoom level, pressurized camera housing w/36x D&N camera, 360 degree rotation, RS422 Pelco D&P protocols

## Product Diagrams



## Camera Specifications

Image Sensor:	¼" interline transfer CCD
Output :	NTSC
Number of Effective Pixels:	Approx. 380,000 pixels
Resolution:	4530 TV lines
Lens:	36x optical (f=3.4mm -
Digital Zoom:	12x (122.4mm)
Angle of View:	(H) 57.8° (wide) to 1.7° (tele)
Min. Illumination Color:	1.4 lux @ 1/60s, .1 lux @ ¼s
B&W:	0.02 lux (¼s, IR cut filter removed)
S/N ratio:	50 dB
Electronic Shutter:	Auto/Manual (manual ½s - 1/30000s)
White Balance:	Auto/Manual
Automatic Gain Control:	Auto/Manual (-3 to 28 dB, 16x 2 dB steps)
Iris Control:	Auto/Manual
Backlight Compensation:	On/Off

## Electrical Specifications

Input Voltage:	24Vac / DC, 50/60 Hz Range ±10%
Power Consumption:	80 vA (Pan/Tilt, Enclosure, Camera)
Heater/Defroster:	Thermostatically controlled, 10 watts
Protocols:	Pelco P+D

## Mechanical Specifications PAN/TILT

Pan Movement:	360° Continuous pan rotation
Pan Speeds:	0.5°-40°/sec manual operation
Tilt Speeds:	0.5°-30°/sec manual operation

## Environmental Specifications

Operating Temperature:	-40° F to 122° F (-40° C to + 50° C)
------------------------	--------------------------------------

## Product Specifications

Construction Pan/Tilt:	Cast aluminum base and yoke, stainless steel hardware
Enclosure:	Extruded aluminum housing aluminum rear end & front cap
Finish:	White powder coat
Weather Resistance	IP66