

XR-SERIES - HYBRID SOLUTIONS

OE4-XR480

OE4-XR240



DESCRIPTION

OpenEye's Xr-Series DVR is an enterprise level, high performance, 4U digital video recorder built for reliability and system longevity. The Xr-Series provides video analytics, support for access control systems, and full integration with POS solutions.

With recording capabilities as high as 480 PPS, optional RAID 5, and up to 10TB of internal storage, the Xr -Series offers a large assortment of features and models to fit your specific application.

Xr-Series DVRs are designed for mission critical applications. With removable drives and RAID 5 capability, system downtime is minimized and data loss is prevented in the event of a hard drive failure.

The Xr-Series chassis is equipped with five removable drive bays, making it quick and easy for users to insert or remove drives on the fly while in the field. Xr-Series DVRs are ideal for applications involving critical infrastructure protection, such as military, law enforcement, gaming, and high security corporate environments.

HIGHLIGHTS

- » H.264 / MPEG-4 / M-JPEG Codec Support
- » 4 Hybrid Recording Channels Standard
- » Supports Up to 16 Hybrid Recording Channels*
- » Dual Monitor Support Standard
- » Multi-Site Administration and Viewing Software
- » RAID 1 and 5 Options
- » Video Analytics Capabilities Using IQ-Series Software
- » Optional POS & ATM Support

* Limited to number of analog recording channels.

XR-SERIES - HYBRID SOLUTIONS

PRODUCT SPECIFICATIONS

	XR240			XR480	
Camera Channels	8	16	32	16	32
Looping Outputs	8	16	32	16	32
Max PPS Per Channel	30	30	30	30	30
Recording Rate	240 PPS			480 PPS	
Live Display Rate	240 PPS	480 PPS		480 PPS	
Audio Channels	4		8	16	8
Video Outputs	1 DVI-D, 1 SVGA, 1 Channel RCA (Select Models have Additional RCA TV Output)				
Digital Relay Outputs	8	16		16	
Alarm Sensor Inputs	8	16		16	
Image Compression	H.264, MPEG-4, M-JPEG				
Recording Resolutions	NTSC: 720x480, 720x240, 360x240 PAL: 720x576, 720x288, 360x288				
Video Signal Loss Detection	Yes				
Motion Detection	Up to 15 Custom Motion Areas / Adjustable Sensitivity				
Remote Operation	LAN / WAN - TCP/IP				
Remote Software	Setup Access, Search, Live View, PTZ and Backup				
PTZ Control	RS-485				
Recording Mode	Continuous, Motion Detection, Sensor and Instant				
Playback Search	Multiple Enhanced Search Capabilities				
Backup	DVD±RW, Network, USB				
Digital Signature Support	Digital Signature Support on AVI and JPG				
Dynamic DNS	Free for Life of Product				
Operating System	Microsoft® Windows XP® Embedded				
Storage (Size)	500GB Standard / Up to 10TB				
External Storage Options	Ultra-320 SCSI Interface (Optional)				
Dimensions	L: 21.5" (546mm) x W: 17.2" (438mm) x H: 7.1" (181mm)				
Warranty	3 Years / 1 Year Advance Replacement				

XR-SERIES MODELS

OE4-XR48032	32 Ch. 480 PPS DVR
OE4-XR48016	16 Ch. 480 PPS DVR
OE4-XR24032	32 Ch. 240PPS DVR
OE4-XR24016	16 Ch. 240 PPS DVR
OE4-XR24008	8 240 PPS DVR

Storage Amounts: 500GB, 1TB, 2TB, 4TB, 6TB, 8TB, 10TB

SOFTWARE SOLUTIONS

Standard Remote Software (Manage one DVR at a time)

RADIUS Multi-Site Management Software (Manages 100+ DVRs simultaneously)

Emergency Agent (Alarm management)

Backup Viewer (Plays exported video in its proprietary format)

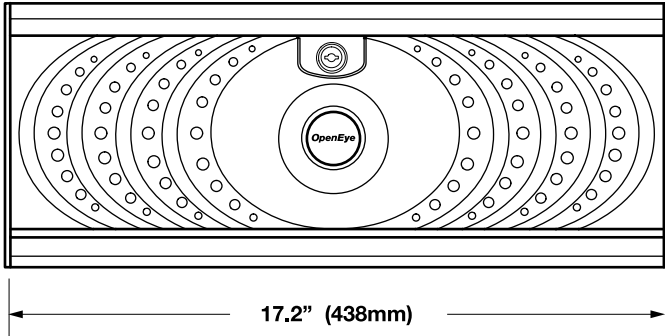
MDVR (Remote Viewer for Pocket PC and Windows Mobile® Devices)

All remote software solutions are compatible with Microsoft® Windows XP® and Vista®

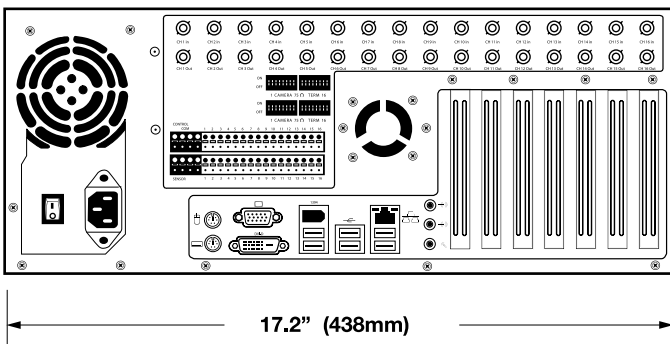
XR-SERIES - HYBRID SOLUTIONS

SYSTEM IMAGES

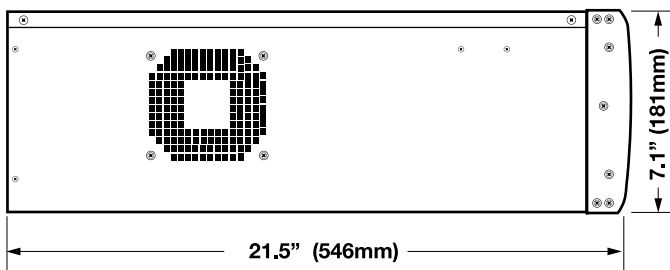
FRONT



BACK



SIDE



ACCESSORIES / UPGRADES

HARDWARE

VB-16AUDIO	8 or 16 Channel Audio Upgrade. Available for all X/Xr-Series 8, 16, 32 Channel Analog Models.
VB-COMP4E	4 Channel Composite Out Upgrade for Enterprise Models. Provides 4 Channels of TV Out Capability (not multiplexed). Available for all X/Xr 120R, 120 4CH, 240 and 480 PPS models.
VB-COMP4M	2 Channel Multiplexed Composite Out Upgrade. Supports 2CH Multiplexed Outputs or 4CH Single Outputs. Available for all X/Xr-Series 8 and 16 Channel Models
HD-AD29320	Internal SCSI adapter upgrade. This adapter is used to connect to External Storage Devices. Available for all X/Xr-Series models.
NP-DGE560T	Gigabyte Network Adapter Upgrade. Adds 10/100/1000bT network support.
OE4-RAID1UP	RAID 1 upgrade. RAID 1 protects data on the DVR From a Single Hard Drive Failure (at any given time). Requires Configurations of 2 or 4 Hard Drives and Half the Drives Cannot be Included When Counting Total Video Storage. Available for all Xr & H-Series DVRs.
OE4-RAID5UP	RAID 5 upgrade. RAID 5 protects data on the DVR From a Single Hard Drive Failure (at any given time). Requires a Minimum of 3 Hard Drives and 1 of the Drives Cannot be Included When Counting Total Video Storage. Available for all Xr & H Series DVRs.

SOFTWARE

SW-XPUPG	Win2K to WinXP upgrade. Windows XP Upgrade for G1 and G2 PC Based Digital Recorders running Windows 2000. DVR Serial Number must be provided with PO. An Upgrade CD for that particular Serial Number will be provided with the new software.
SW-RW*	RediWatch POS.
AC-2PSER	2 Port Serial Card for POS Applications.
AC-4PSER	4 Port Serial Card for POS Applications.
AC-8PSER	8 Port Serial Card for POS Applications.
SW-IQ*	IQ-Series Video Analytics.

*Contact your OpenEye sales representative for more information.