

## H-SERIES EXTREME PERFORMANCE DVRs

**OE4-H4U480**

**OE4-H4U240**



### DESCRIPTION

OpenEye's H-Series DVR is a high performance video management solution designed for recording real-time 30PPS D1 video, and audio, on all channels. With hardware based H.264 compression and the ability to output high-resolution multiplexed video for monitoring, the H-Series is perfectly suited for the most demanding surveillance applications.

H-Series DVRs are designed for mission critical applications. With removable drives and RAID 5 capability, system downtime is minimized and data loss is prevented in the event of a hard drive failure. The H-Series chassis is equipped with 5 removable drive bays, making it quick and easy for users to insert or remove drives on the fly while in the field. Additional composite (Standard) and DVI (High-Definition) outputs provide built-in viewing solutions for high security monitoring applications. H-Series DVRs are ideal for applications involving critical infrastructure protection such as military, law enforcement, gaming, and high security corporate environments.

### HIGHLIGHTS

- » Real Time D1 30PPS Recording on All Channels
- » Real Time Progressive Scan Live Viewing
- » High Resolution Multiplexed DVI Video Output
- » Dual Monitor Support Standard
- » Audio Recording on All Camera Channels
- » 4 Hybrid Recording Channels Standard
- » Remote Administration, Control, and Viewing

# H-SERIES EXTREME PERFORMANCE DVRs

## PRODUCT SPECIFICATIONS

	OE4-H4U24008	OE4-H4U48016
Camera Channels	8	16
Looping Outputs	8	16
Max PPS Per Channel	30	30
Recording Rate	240 PPS	480 PPS
Live Display Rate	240 PPS	480 PPS
Audio Channels	8	16
Video Outputs	1 DVI-D, 1 SVGA, 1 Channel (RCA) TV Output (NTSC, PAL)	
Digital Relay Outputs	8	16
Alarm Sensor Inputs	8	16
Image Compression	H.264 (Max 480 PPS @ D1)	
Recording Resolutions	<b>NTSC:</b> 720 × 480 max. <b>PAL:</b> 720 × 576 max.	
Video Signal Loss Detection	Yes	
Motion Detection	Up to 15 Custom Motion Areas / Adjustable Sensitivity	
Remote Operation	LAN / WAN - TCP/IP	
Remote Software	Setup Access, Search, Live View, PTZ, and Backup	
PTZ Control	RS-485	
Recording Mode	Continuous, Motion Detection, Sensor, Instant	
Playback Search	Multiple Enhanced Search Capabilities	
Backup	DVD±RW, Network, USB	
Digital Signature Support	Digital Signature Support on AVI and JPG	
Dynamic DNS	Free for Life of Product	
Operating System	Microsoft® Windows XP® Embedded	
Storage (Size)	500GB Standard / Up to 10TB	
External Storage Options	Ultra-320 SCSI Interface (Optional)	
Dimensions	<b>L:</b> 21.5" (546mm) x <b>W:</b> 17.25" (438mm) x <b>H:</b> 7.1" (181mm)	
Warranty	3 Years / 1 Year Advance Replacement	

## H-SERIES MODELS

**OE4-H4U48016** 16 Channel 480PPS DVR

**OE4-H4U24008** 8 Channel 240PPS DVR

Storage Amounts: 500GB, 1T, 2T, 4TB, 6TB, 8TB, 10TB

## SOFTWARE SOLUTIONS

**Standard Remote Software** (Manage one DVR at a time)

**RADIUS Multi-Site Management Software** (Manages 100+ DVRs simultaneously)

**Emergency Agent** (Alarm management)

**Backup Viewer** (Plays exported video in its proprietary format)

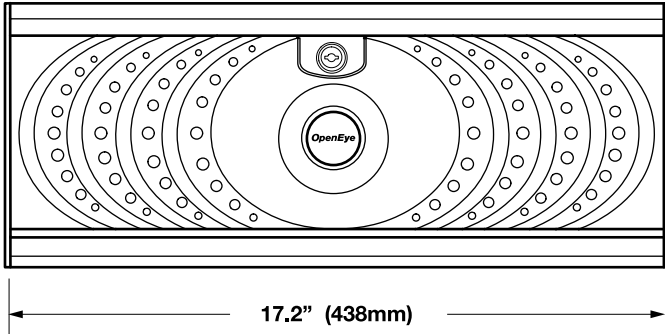
**MDVR** (Remote Viewer for Pocket PC and Windows Mobile® Devices)

All remote software solutions are compatible with Microsoft® Windows XP® and Vista®

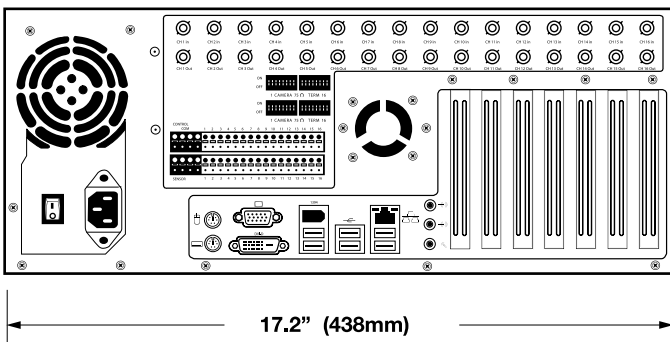
# H-SERIES EXTREME PERFORMANCE DVRs

## SYSTEM IMAGES

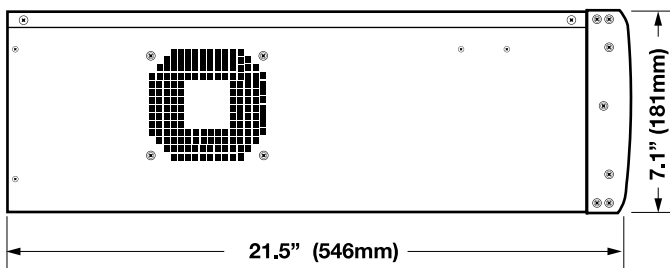
### FRONT



### BACK



### SIDE



## ACCESSORIES / UPGRADES

### HARDWARE

- VB-16AUDIO** 8 or 16 Channel Audio Upgrade. Available for all X/Xr-Series 8, 16, 32 channel analog models.
- VB-COMP4E** 4 channel composite out upgrade for enterprise models. Provides 4 channels of TV out capability (not multiplexed). Available for all X/Xr 120R, 120 4CH, 240 and 480 PPS models.
- VB-COMP4M** 2 Channel multiplexed composite out upgrade. Supports 2CH multiplexed outputs or 4CH single outputs. Available for all X/Xr-Series 8 and 16 channel models
- HD-AD29320** Internal SCSI adapter upgrade. This adapter is used to connect to external storage devices.
- NP-DGE560T** Gigabyte network adapter upgrade. Adds 10/100/1000bT network support.
- OE4-RAID1UP** RAID 1 upgrade. RAID 1 protects data on the DVR from a single hard drive failure (at any given time). requires configurations of 2 or 4 hard drives and half the drives cannot be included when counting total video storage.
- OE4-RAID5UP** RAID 5 upgrade. RAID 5 protects data on the DVR From a Single Hard Drive Failure (at any given time). Requires a Minimum of 3 Hard Drives and 1 of the drives cannot be Included when counting total video storage.

### SOFTWARE

- SW-XPUPG** Win2K to WinXP upgrade. Windows XP Upgrade for G1 and G2 PC Based Digital Recorders running Windows 2000. DVR serial number must be provided with PO. An upgrade CD for that particular serial number will be provided with the new software.
- SW-RW\*** RediWatch POS.
- AC-2PSER** 2 Port Serial Card for POS Applications.
- AC-4PSER** 4 Port Serial Card for POS Applications.
- AC-8PSER** 8 Port Serial Card for POS Applications.
- SW-HYB4CH** 4 Channel Hybrid Software Upgrade (Max Hybrid support is 16 channels)
- SW-HYB8CH** 8 Channel Hybrid Software Upgrade (Max Hybrid support is 16 channels)
- SW-HYB16CH** 16 Channel Hybrid Software Upgrade (Max Hybrid support is 16 channels)
- OE4-PERFUPG** Performance Upgrade Package for HVR/ Analytics. Includes a faster CPU and increased memory.
- OE4-PERFUPGF** Performance Upgrade Package for HVR/ Analytics. Includes a faster CPU and increased Memory. This is a field upgrade.
- SW-IQ\*** IQ-Series Video Analytics.

\*Contact your OpenEye sales representative for more information.